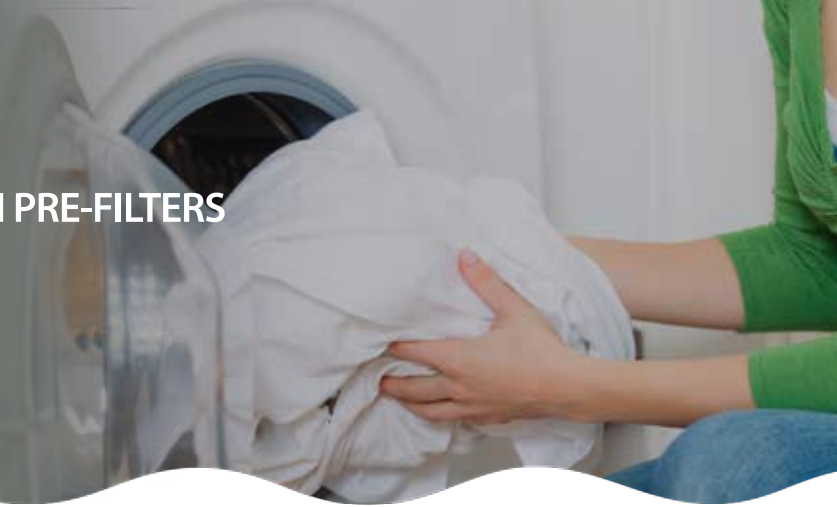


# Pre-filters

## CERAMIC AUTOMATIC BACKWASH PRE-FILTERS

Ideal for in-floor heating, water heaters, washing machines, dishwashers, and irrigation.



### The industry's top residential, self-cleaning sediment filter.

With the ability to filter down to 50 microns, our patented pre-filtration systems are excellent choices for removing particles, dirt, and rust. In addition, unlike standard cartridge-based filter systems, these systems will not restrict flow or pressure to your water supply.

These units allow particles to be filtered more efficiently due to their innovative top-mounted configuration and also include a pressure drop check valve.



### Top industry features for a truly automatic, hassle-free design.

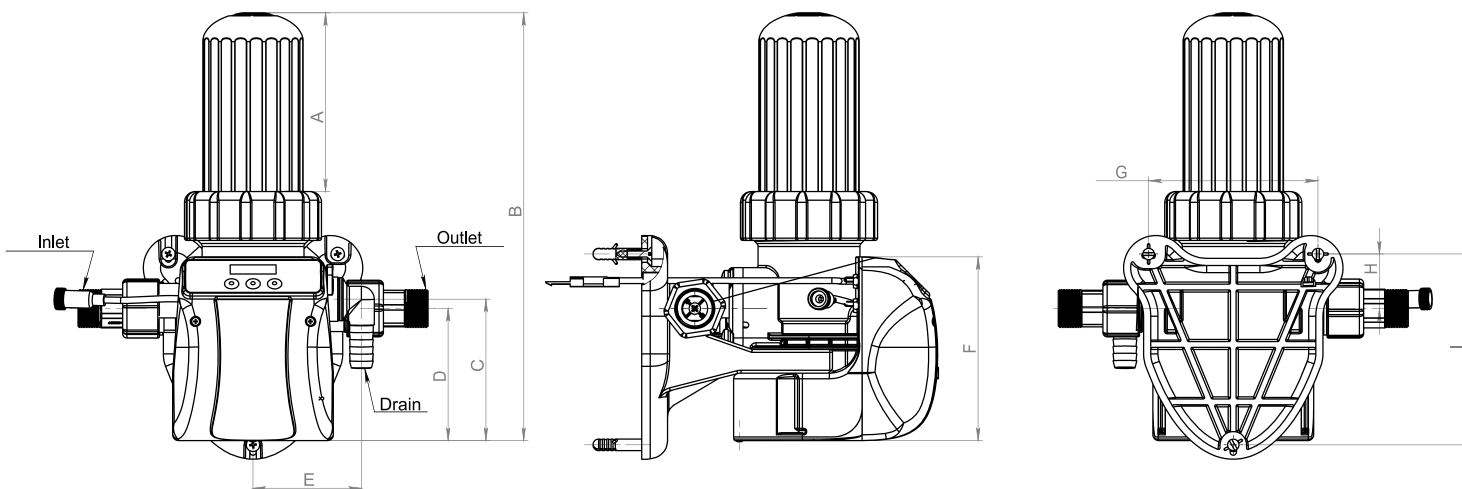
- Improved backwash cleaning rates - up to 30% more efficient!
- Top-mounted filter housing for improved sediment removal
- Inlet, outlet, and drain connectors that can rotate 360° to accommodate difficult installs and small spaces
- Three innovative methods of leak protection
- High quality at a competitive price point



# Pre-filters

## CERAMIC AUTOMATIC BACKWASH PRE-FILTERS

Ideal for in-floor heating, water heaters, washing machines, dishwashers, and irrigation.



### Dimensions

Model	A	B	C	D	E	F	G	H	I
RL-Q01	4.91"	11.54"	3.77"	3.62"	2.97"	5.04"	4.65"	1.5"	5.24"
RL_Q02	5.52"	13.92"	4.63"	4.51"	4.5"	5.94"	5.12"	1.92"	7.11"

### Electrical Specifications

Transformer Input	Transformer Output	Wattage
100-240VAC / 50-60Hz	12VDV / 1.5A	18W

### Operational Specifications

Operational Pressure	Operational Water Temperature	Inlet Water Turbidity
14.5 - 87 psi	41°F - 122°F	No Requirement

### Parameters

Inlet	Outlet	Drain	Flow Rate	
3/4" or 1"	3/4" or 1"	RL-Q01: 5/8" RL-Q02: 3/4"	RL-Q01: 6.6 gpm	RL-Q02: 11 gpm

### Additional Specifications

Valve Material	Meter Accuracy	Weight	
PPE	±5%	RL-Q01: 1.80 kg / 3.98 lbs.	RL-Q02: 3.77 kg / 8.31 lbs.