

H-Series

CABINET SOFTENERS

Designed for ease of use with more softening power.



Model R150H

Designed for ease of use with more softening power.

The H-series softeners are a single tank, compact design. Like all Hankscraft Runxin softeners, these can be private labeled and made in many different custom colors. All of these cabinets feature our patented ceramic disc valve, insuring years of reliability, and maintenance free usage.

These units offer tool free installation and convenient operation. All units come with meter or time clock regeneration options and only use food grade softening resin. These units have an option for vacation mode for extended absences and automatic capacity calculation. When these units are set up with the F116 (RevV2.5) valve, they are NSF certified.

The H series cabinets come in two sizes for units with higher water usage. They also have a large top loading opening to make salt filling convenient and easy. The smaller units can fit into tight spaces with a size of 12.3" W x 18.9" D x 23.2" H. The larger size can handle over 1000 gallons of water between regenerations.

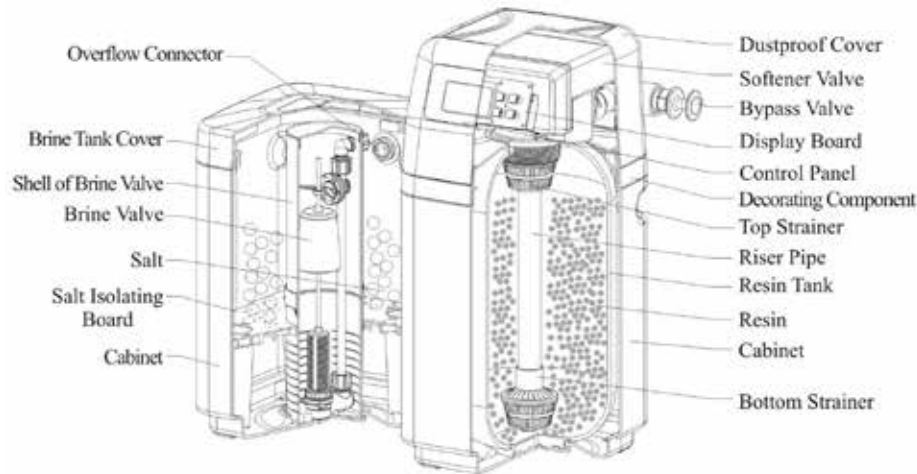
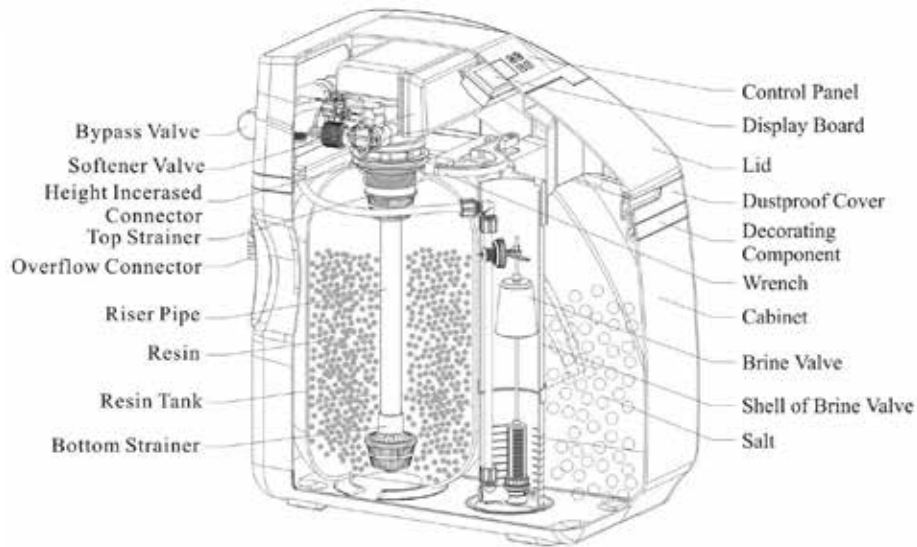
H-Series Cabinets Feature:

- Offered with either valve type
- Medium and large sizes designed for higher water usage
- Larger brine tank opening for ease in adding of salt
- Low maintenance with built in salt and water saving technology
- NSF is available when ordered with the F116 valve

H-Series

CABINET SOFTENERS

Designed for ease of use with more softening power.



Model	RL-R100H	RL-R150H
Tank Size	10 x 17	10 x 35
Resin Volume	.44 f ³ or 14K	1 f ³ or 32K
Capacity	792.5 gal. (3000L)	1849.2 gal. (7000L)
Dimensions	23.2"H x 12.3"W x 18.9"D	41.5"H x 12.3"W x 18.9"D
*All data based on testing with 8.8 gpg hardness and 20 to 60 psi		