

RevV4

TWIN DEMAND SOFTENING SYSTEMS

The most innovative and advanced water softening system in the industry.



Most advanced ceramic valve system for residential and light commercial use.

Hankscraft Runxin's RevV4 Twin Demand Softening Systems provide continuous soft water via a 3-way ball valve that keeps one valve in standby until the other reaches capacity and needs to regenerate. The valves are designed with high flow rates that are ideal for light commercial applications, but can also be used for residential configurations. These systems feature innovative, patented ceramic discs for ultimate performance and reliability. The discs are abrasion and corrosion resistant, extending the life of the valve and significantly reducing maintenance costs.

The RevV4 valves within these systems have 7 advanced programming options with fully adjustable cycles to minimize water usage during regeneration. They can utilize up-flow or down-flow regeneration which efficiently washes the media, exchanging more grains per pound of salt. RevV4 valves have signal output for external devices, program functions that remain in long-term memory, and 72-hour memory backup should a power outage occur, giving you the confidence that you are receiving a cost-effective, high-quality water treatment solution.

RevV4 Twin Demand Systems Feature:

- Patented ceramic discs are corrosion and abrasion resistant for longer life and reduced maintenance.
- Multiple, programmable efficiency settings; grains exchanged per lb. of salt
- Bright, easy to read LCD display
- Long-term memory for program functions
- 72-hour memory backup
- No external PLC required to operate multiple control heads or external devices.
- Purolite® crosslink resin
- 4 language options: English, Spanish, Chinese, and French



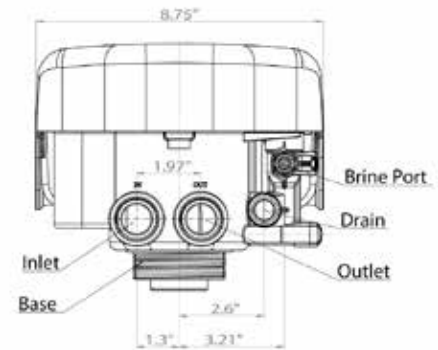
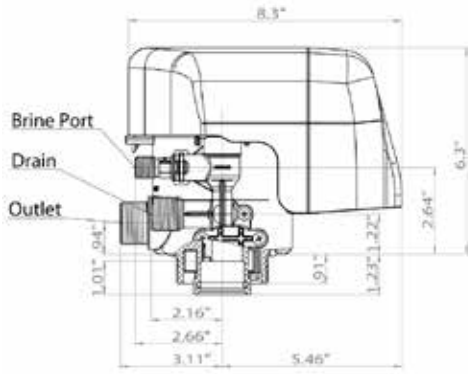
This valve is tested and certified by NSF International against NSF/ANSI Standard 44 for materials and structural integrity requirements.



RevV4

TWIN DEMAND SOFTENING SYSTEMS

All ceramic components guaranteed for life.



System Specifications

System Size	Resin (cu. ft.)	Overall Height (in.)	Diameter (in.)	Flow Rate**	Water Used/ Regen	Grains exchanged per lb. ***
9x48	1.0	54.3"	9"	16 gpm	50.82 - 57.76 gal.	3,624.0
10x44	1.25	50.3"	10"	17 gpm	57.98 - 67.20 gal.	3,624.0
10x54	1.5	60.3"	10"	18 gpm	58.15- 68.20 gal.	3,624.0
12x52	2.0	58.3"	12"	20 gpm	86.56 - 99.60 gal.	3,624.0

*Additional sizes available

**Flow rate at 15 psi drop

***Exchange rates based on standard salt settings; ANSI/NSF 44 certification

Electrical / Operational Specifications

Control Valve		Working Conditions	
Transformer Input	100 - 240VAC / 50-60Hz	Water Pressure	20 - 120 psi
Transformer Output	12VDC / 2A	Water Temperature	35°F - 125°F
		pH Level	7.5 ± 0.5

Control Valve Parameters

Inlet	Outlet	Drain	Brine	Base	Riser Tube	Hard Water Bypass
1"	1"	3/4"	3/8"	2.5" - 8NPSM	32mm	Yes

Additional Specifications

Tank Material	Valve Height From Top of Tank	Meter Accuracy	Clock
Fiberglass	7" / 180mm	±5%	12- or 24-hour